

# L-858 Unlighted Airfield Guidance Sign



## COMPLIANCES

L-858C, L-858Y, L-858R, L-858L  
FAA AC 150/5345-44 (current edition)

ETL Certified

Meets "Buy American" requirements.



## PRODUCT APPLICATION

The L-858 Unlighted Airfield Guidance Signs are used in the following applications:

- L-858C – Taxiway Ending Marker sign, yellow 45 degree diagonal stripes on a black background
- L-858Y – Direction, Destination, and Boundary sign; black legend on a yellow background
- L-858R – Mandatory Instruction sign; black outline on outside edge of white legend on a red background
- L-858L – Taxiway Location sign; yellow legend and border on a black background

## SIGN CONFIGURATIONS

Each sign type is available in size 1, 2, or 3, at 100 or 200 MPH with a length of 48" or 72", as shown in the table below.

Type	Size	Style	Mode	Module (Length)
C,Y,R, and L	1, 2, and 3	4	100 and 200 MPH	48" (4 feet) and 72" (6 feet)

## AIRFIELD GUIDANCE SIGNS - 5.2

## ORDERING INFORMATION

Unlighted Sign Part Number:

L-858-X-X-X

L-858 = Unlighted Airfield Guidance Sign

Number of Sides:

- 1 = Single-Face
- 2 = Double-Face

Sign Size:

- 1 = Size 1, 48" length
- 2 = Size 2, 48" length
- 3 = Size 3, 48" length
- 4 = Size 1, 72" length
- 5 = Size 2, 72" length
- 6 = Size 3, 72" length

Mode:

- 1 = 100 MPH
- 2 = 200 MPH

*Note: To order a sign that will be stake-mounted, add "-S" to the end of the part number (e.g., L-858-1-1-2-S). (A stake-mounted sign is not ETL certifiable.)*

## WEIGHT

The weights of the various sign sizes are detailed below.

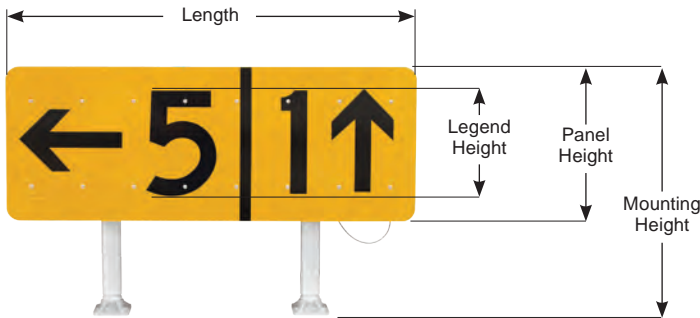
Size	Length in Inches (cm)	Weight of Single-Sided in lbs. (kg)	Weight of Double-Sided in lbs. (kg)
1	48 (122)	28 (13)	48 (22)
	72 (183)	42 (19)	72 (33)
2	48 (122)	33 (15)	56 (25)
	72 (183)	49 (22)	84 (38)
3	48 (122)	37 (17)	64 (29)
	72 (183)	55 (25)	96 (44)



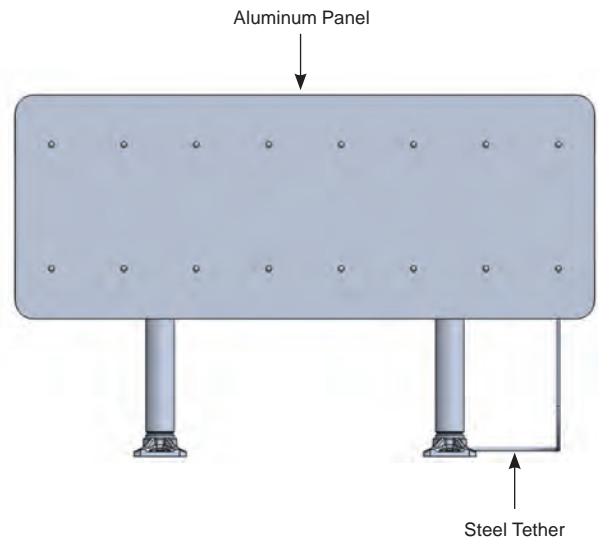
## DIMENSIONS

The dimensions of the various sign sizes, legend height, legend panel height, overall mounting height and maximum overall length are detailed below.

Size	Legend Height in Inches (cm)	Panel Height in Inches (cm)	Mounting Height in Inches (cm)	Length in Inches (cm)
1	12 (30.5)	18 (45.7)	29.625 (75.2)	48 (121.9) or 72 (182.9)
2	15 (38.1)	24 (61)	33.625 (85.4)	48 (121.9) or 72 (182.9)
3	18 (45.7)	30 (76.2)	36.625 (93)	48 (121.9) or 72 (182.9)

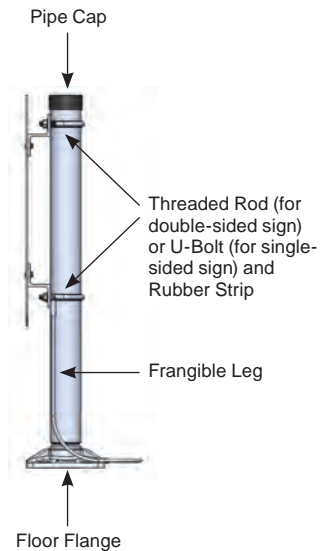


## EXPLODED VIEW



## RENEWAL PARTS

Description	Part Number
Frangible Leg	
Size 1, 100 MPH	A1-17-1113-001
Size 2, 100 MPH	A1-17-1113-002
Size 3, 100 MPH	A1-17-1113-003
Size 1, 200 MPH	A1-17-1113-004
Size 2, 200 MPH	A1-17-1113-005
Size 3, 200 MPH	A1-17-1113-006
Floor Flange	A1-17-1076-001
Steel Tether, 1/8" X 24" LG	A1-05-0565-001
Replacement Panel Kit, includes panel and adhesive rubber strip (Complete a sign design form for each panel ordered.)	
Size 1, 48" length	K1-02-0047-001
Size 2, 48" length	K1-02-0047-002
Size 3, 48" length	K1-02-0047-003
Size 1, 72" length	K1-02-0047-004
Size 2, 72" length	K1-02-0047-005
Size 3, 72" length	K1-02-0047-006
Threaded Rod, 4", .375-16 THD	A1-05-0606-001
U-bolt, .375-16, SS	A1-05-0590-002
Pipe Cap, fits 2" NPT	A1-05-0592-001



www.genesislamp.com  
 info@genesislamp.com  
 Toll Free: 800-685-5267

**GENESIS LAMP**

375 North St. Clair St.  
 Painesville, OH 44077