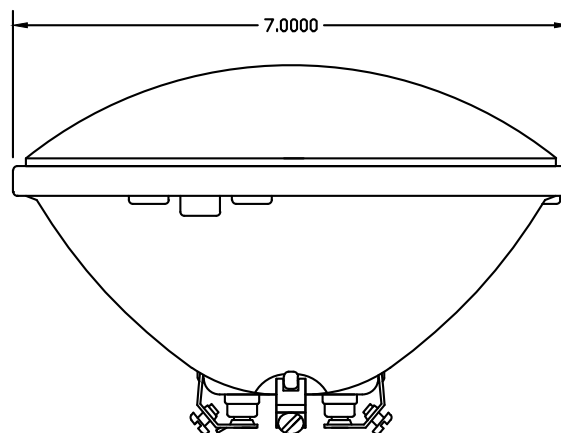


# GN 34 PAR Lamp

## Airport Lighting



### Description

#### GN-34 Light Bulb - Airport Lighting

This is a FAA approved airport lighting xenon flash lamp in a Par 56 with a clear front lens. It is a 3 screw lug terminal design that operates at 2000 volts anode and 60 watts per flash at 2 flashes per second. OAL is 5" and OD is 7". Trigger voltage is 15-18 KV. Life is 4 million flashes

### Usage

This lamp is used for these systems: ALSE2/SSALR, FA-10048, FA-9994, FA9877 FA9425,26 REIL, FA-9437 MALS/ MALS SR, FA-10097, 98, FA9629, 30, REIL: FA10229, FA-10096, 124, 125, FA-9628

### Specifications

Part Number:	AL-006-0043
NSN:	6240-010006-1260
Power Rating:	120 Watts
Current:	20 Amperes
Lens:	Clear (NSP)
Base:	3 Screw Terminal
Max Voltage:	2250v - Min. Voltage: 1800 V
Flash Rate:	120/Minute
Wattage:	120w
Min. Trigger	10.0 KV - Energy / Flash 60 W-S



Genesis Lamp Corp. • 375 North St. Clair St. • Painesville, OH 44077

440-354-0095 • Toll Free: 800-685-5267 • Fax: 440-354-0624

www.genesislamp.com • email: info@genesislamp.com