









The **AV-70** is a next-generation, self-contained solar light specifically designed to survive the harshest environments with minimal ongoing maintenance.

### Key Features:

- Multiple power configurations available including AC input variants
- Optional PLC and/or RF
- FAA or ICAO compliant
- Updated Switch and External Interface Port
- External Interface Port (Charge Port) standard, optional Switch

Standard	Optional
 External Interface Port	 Switch
 IR Output	 IR Remote
 RF Control	 PALC



### Multiple power configurations available including AC input variants

As standard, each chassis comes with an External Interface Port standard for DC supplementary battery charging based on variant of product. The AV-70 comes with a maximum power point tracker (MPPT) to optimize solar input into the 8.6AH (B1 Only), 17.2AH (B2 Only) or 2.5AH (B3 Only) battery for longer run time.

### Optional PLC and/or RF

The AV-426 fixtures are able to receive signals to control operation mode, switch between visible and IR mode as well as change intensity when connected as part of a power line communication (PLC) system. A number of options are available when optioned with RF (FCC compliant), such as the ability to use visible and IR LEDs fitted to the same light head or certain fixtures based on light groups.

### FAA or ICAO compliant

The AV-70 complies with both FAA and ICAO photometrics, with three step intensities based on regulations.



**GENESIS LAMP**

www.genesislamp.com  
 info@genesislamp.com  
 Toll Free: 800-685-5267

375 North St. Clair St.  
 Painesville, OH 44077



AV-70

B1

B2

B3

**Light Characteristics**

Light Source	LED		
Available Colours	ICAO & FAA 861T and 863: Blue, IR. Non-compliant variant: Red, Green, White, Yellow, Bi-directional Combinations, IR		
Horizontal Output (degrees)	360		
Intensity Adjustments	3 Step or 5 Step (Dependent on Variant)		
LED Life Expectancy (hours)	> 100,000		

**Electrical Characteristics**

Circuit Protection	Integrated		
Temperature Range	-40 to 55°C (-40 to 131°F)		
Transport and Storage Temperature Range	-40 to 55°C (-40 to 131°F)		-40 to 70°C (-40 to 158°F)

**Solar Characteristics**

Solar Module Type	Monocrystalline		
Output (Watts)	2.8 (2 x 1.4 watt)		
Solar Module Efficiency (%)	21		
Charging Regulation	MPPT		

**Power Supply**

Battery Type	High grade Nickel Metal Hydride (NiMH)		Cyclon AGM-TPPL
Battery Capacity (Ah)	8.6	17.2	2.5
Nominal Voltage (V)	3.6		4.0
Programming/ Charger	Integrated (DC) External (AC)		
Charge Port Rated Power	5 W		
Input Voltage	90-264 VAC, 50/60 Hz		

**Radio Controlled**

Frequency	2.4GHz ISM Band		
Range	Up to 1.4km (0.87 mi) relayed		
Expandability	AvMesh®		
Compliance	FCC / CE		

**Physical Characteristics**

Body Material	LEXAN® Polycarbonate – UV stabilized		
Body Color options	FAA Yellow, Desert Tan		
Lens Material	LEXAN® Polycarbonate – UV stabilized		
Lens Diameter (mm/inches)	140 / 5 ½		
Lens Design	Single-LED optic		
Mounting	6 x 17mm holes on 200mm PCD		
Height (mm/inches)	240 / 9.45		
Width (mm/inches)	231 / 9.09		
Mass (kg/lbs)	1.4 / 3 ¼	1.6 / 7 ½	1.4 / 3 ¼
Service Life	Up to 12 years		

**Environmental Standards**

Shock	MIL-STD-202G, Test Condition G, Method 213B		
Vibration	MIL-STD202G, Test Condition B, Method 204		
Wind Speed	Up to 160kph / 100mph		
Humidity	0 to 100%, MIL-STD-810F		

**Compliance**

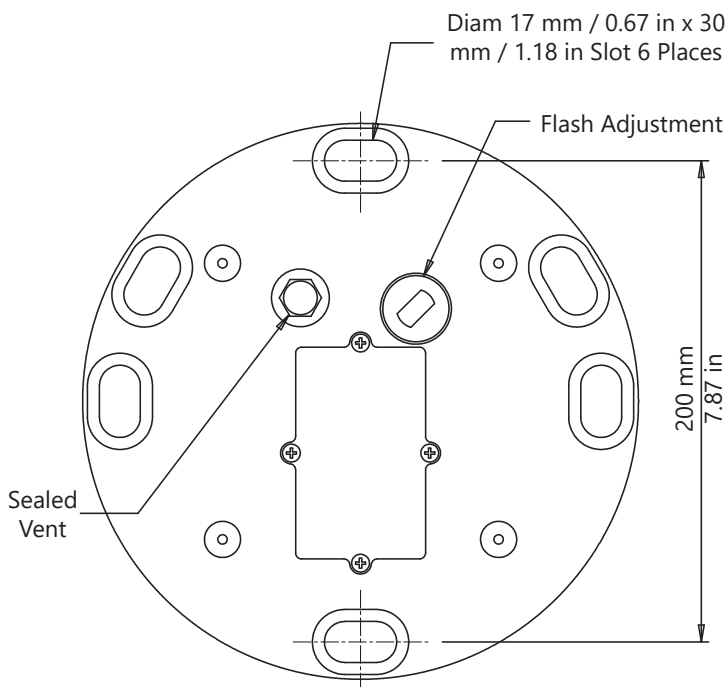
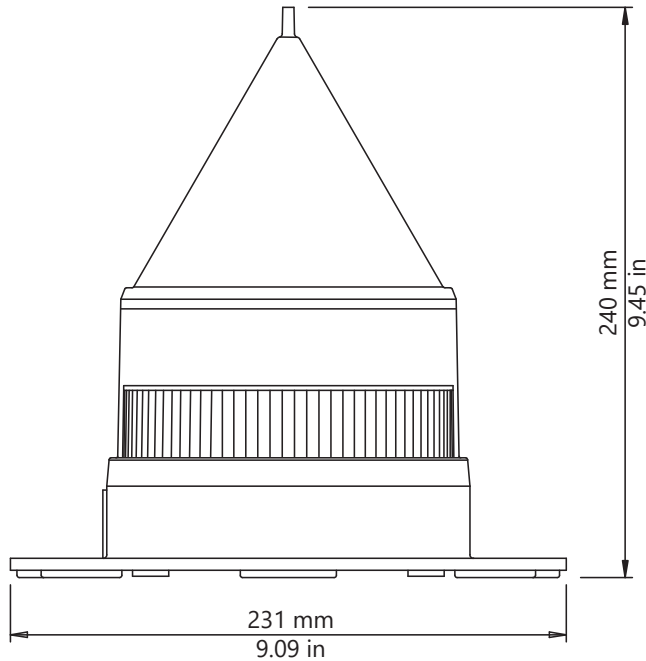
FAA	L861T & 863, Runway And Taxiway AC 150/5345-46E, Portable Runway and Taxiway AC 150/5345-50B LED Color Standard (Engineering Brief No. 67D)		
ICAO	ICAO Annex 14, Vol 1, July 2018		
EMC	EN61000-6-4:2012, EN61000-6-2:2019		
Quality Assurance	ISO9001:2015		
Waterproof	IP68		
Trademarks	AVLITE® and AV-HMALS® is a registered trademark of Avlite Systems		

**Other**

Warranty *	3 year warranty		
Options Available	Handheld RF Controller, IR LEDs, External Switch, Pilot Activated Lighting Control (PALC)		
Terms and Conditions	Please refer to the light installation manual for further specifications. Warranty Terms and Conditions - <a href="http://www.avlite.com">www.avlite.com</a>		



### Technical Illustrations



### Ordering This Product

AV-70-[XXXX]-[XX]-[XX]-[XX]-[XX]



**1** Product Number

**2** Standard

ICAO  
861  
861E  
NCMP

**3** Power Configuration

B1 8.6AH NiMH Battery  
B2 17.2AH NiMH Battery  
B3 4V Cyclon Battery Bank

**4** Base Colour

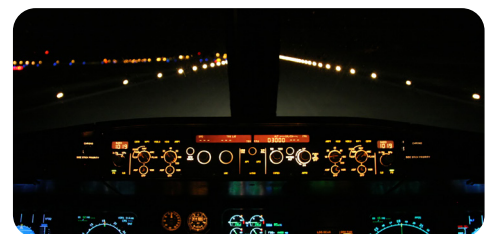
YL Yellow  
DT Desert Tan

**5** LED Configuration

W Omni-directional White  
Y Omni-directional Yellow  
G Omni-directional Green  
R Omni-directional Red  
WY Bi-directional White & Yellow  
WR Bi-directional White & Red  
YR Bi-directional Yellow & Red  
GY Bi-directional Green & Yellow  
RG Bi-directional Red & Green  
GX Uni-directional Green  
RX Uni-directional Red  
B Omni-directional Taxiway, Blue

**6** Option Configuration

00 External Interface Port (EIP)  
01 EIP, RF Control (RF)  
02 EIP, IR Light Output (IR)  
03 EIP, RF, IR  
04 EIP, External Switch (SW)  
05 EIP, SW, RF  
06 EIP, SW, IR  
07 EIP, SW, RF, IR



Want to monitor, maintain, manage and control your assets? [Click here](#)



**GENESIS LAMP**

www.genesislamp.com  
info@genesislamp.com  
Toll Free: 800-685-5267

375 North St. Clair St.  
Painesville, OH 44077